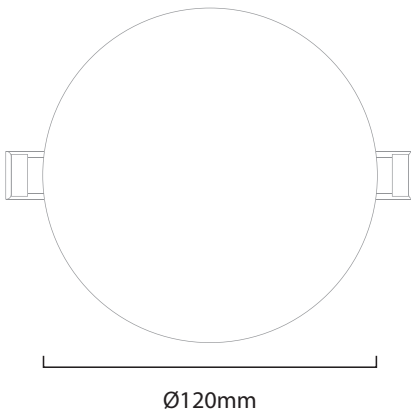




DIMENSION



PRODUCT

Name	CFR LED panel Light
Reference	EI-CFR-15W
Body color	White
Material	Aluminum
Category	Recessed

LIGHTING INFORMATION

Light source	LED
Gross luminous flux	1500Lm
Power	15W
Colour temperature CCT	3000 / 4000/ 7000 K
Colour Rendering Index	CRI = 80
Light beam angle	120°
Number of LEDs	117
Chip Type	SMD2835
Dimming	Non Dimmable
Median useful Life	30,000 hours

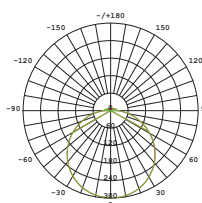
OTHER DATA

Light Guide Panel (LGP)	Polystyrene (PS)
Ingress Protection	IP20
Dimension (mm)	Ø120mm
Cut-Size (mm)	Ø 50 - 95mm

DRIVER OPTIONS

ON / OFF	
Class II	
Frequency (Hz)	50/60 Hz
Power Factor	0.6
Mains voltage	AC 85-265V
Ingress Protection	IP20
Isolated Driver	Yes

PHOTOMETRIC DETAILS



10	10.79, 200.82x	349.33mm
20	17.76, 78.231x	608.46mm
30	7.461, 32.482x	1047.99mm
40	4.484, 18.402x	1397.33mm
50	3.021, 12.402x	1746.66mm
60	1.965, 9.2841x	2096.00mm
70	1.465, 6.7902x	2445.33mm
80	1.104, 4.7902x	2794.66mm
90	0.8720, 3.7104x	3144.00mm
100	0.7097, 2.9902x	3493.33mm